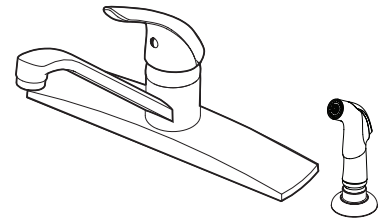


J134-444C Finish(C)

J134-444S Finish(S)



Specifications

- Single Control
- 4-Hole Installation
- Stainless Steel Ball Valve

Features

- Job Pack Contains 12 Kitchen Faucets
- 1.8 GPM Flow Rate
- 4-Hole Installation
- Stainless Steel Ball Valve
- Chrome Side Spray
- Swivel Spout
- 10 Year Commercial Warranty

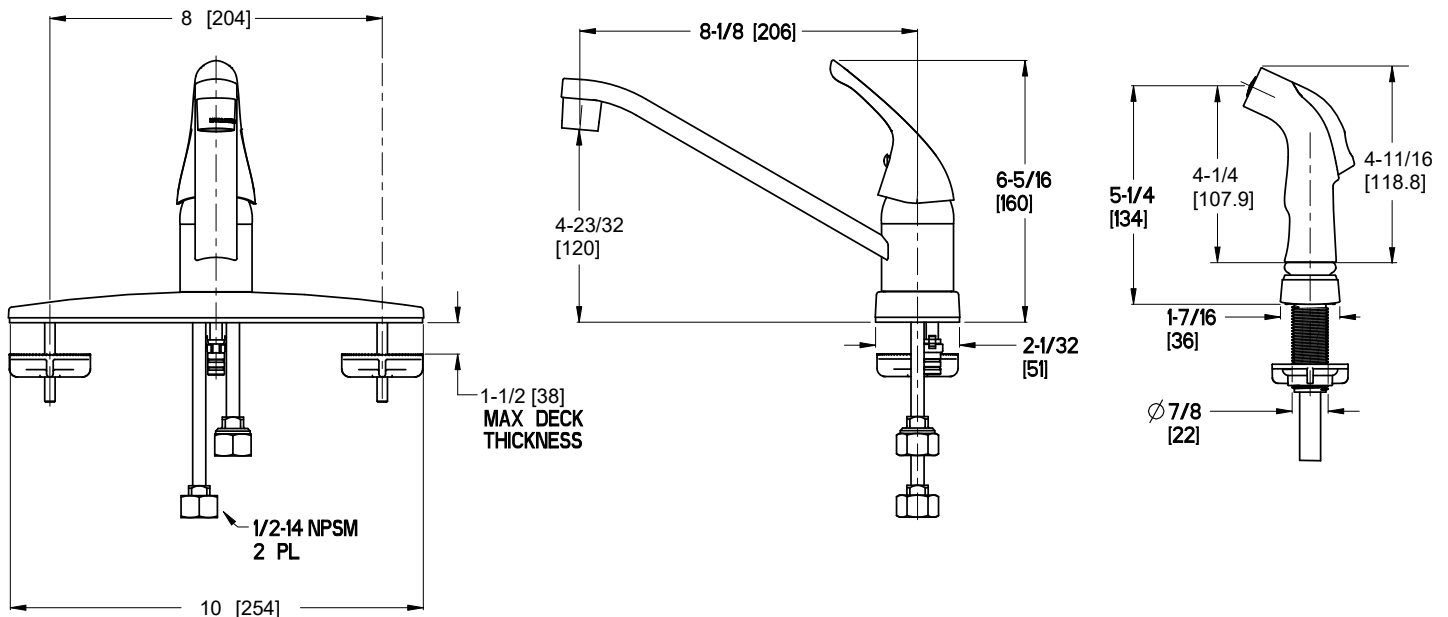
Code Compliance

Pfister products are designed and manufactured in compliance with the following standards and codes:

- IAPMO Certified
- CSA B125 Certified
- ASME A112.18.1
- NSF 61/9 Annex G (Low lead)
- CEC Compliant
- Cal Green Compliant
- ADA Compliant-ANSI A117.1 (Lever handles only)
- ASME A112.18.3 (Backflow Prevention)



Dimensions



\varnothing 1-3/8 Min to \varnothing 1-1/2 Max. Deck Hole Openings